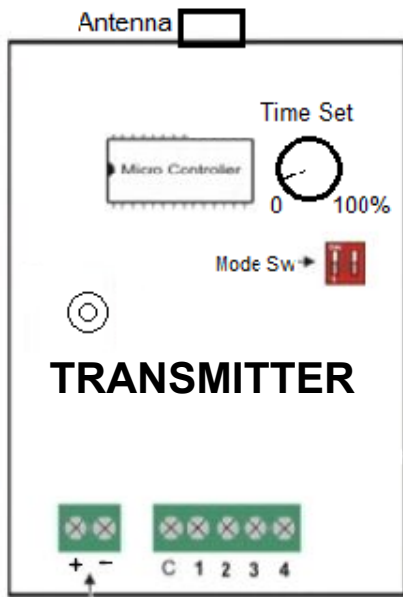
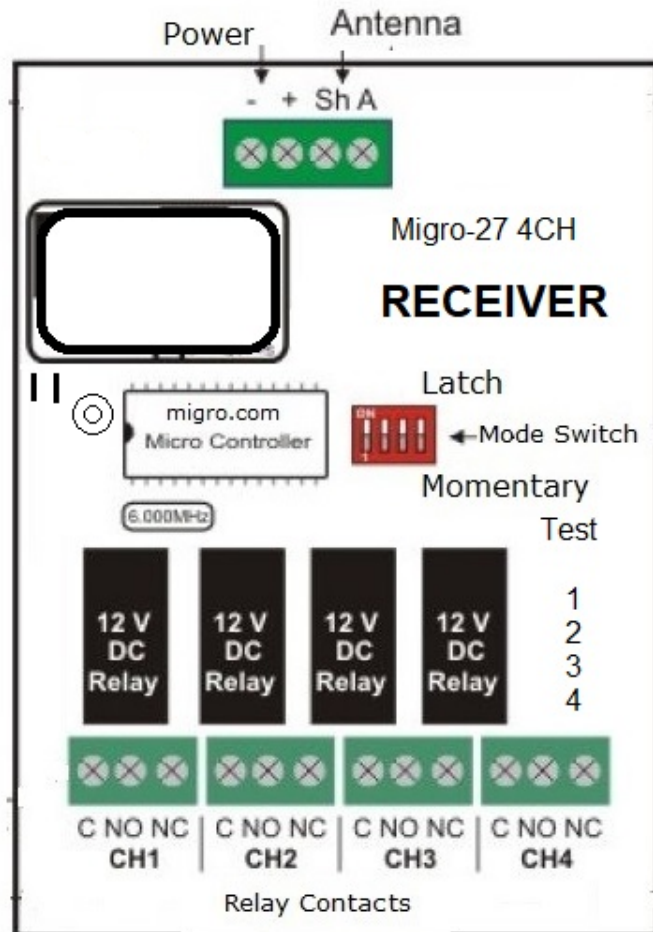


Migro27 4 Channel layout



Detailed transmitter operating mode setting in the **Operating Modes** section



Receiver Output Mode Switch

Each channel can be selected for LATCH or Momentary Operation

Latch: Relay energizes after a single trigger pulse, Deactivates after a second pulse.

Momentary: Relay energizes ON/ OFF with each pulse