

CONGRATULATIONS ON YOUR PURCHASE OF THE MXR-4 XTENDED RANGE 4 CHANNEL RECEIVER

The MIGRO[®] transmitters and receivers Xtended Range Wireless Control category work best for a broad myriad of wireless remote control applications. Some of the most commonly used include: Lighting control, generators, alarms, gate access, SCADA, industrial monitoring, irrigation gates, monitoring and controlling remote sites, valves factory processes, pump control, racetrack warning systems, PLC remote.

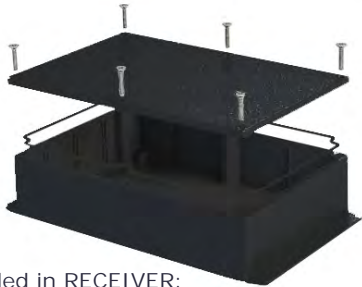
NOTE: THIS RECEIVER IS ONLY COMPATIBLE WITH THE MIGRO MXT-4 XTENDED RANGE TRANSMITTER



INSTALLATION INSTRUCTIONS

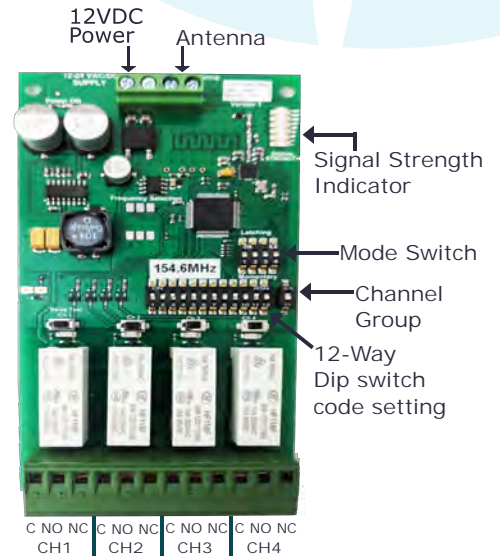
Your wireless control system must be installed and maintained as described in this guide to ensure reliable and safe operation. Confirm the voltage and current draw of your connected load to the control output is consistent with the design specifications of this product and that your application will not exceed the maximum load capacity listed.

- 1 OPEN THE RECEIVER LID**
Open the receiver lid to gain access to the terminal connectors and dip switches.



Included in RECEIVER:
1. Receiver board
2. Mounting hardware kit

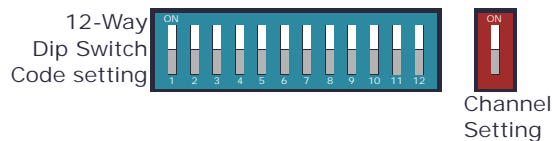
- 2 LOCATE WIRING TERMINALS**
Identify and connect to the terminals as needed for your application.



OUTPUT: Relay 8 Amp, SPDT (NO/NC)
Class 2 Pilot Duty

- 3 PAIR WITH TRANSMITTER & SELECT MODE**
The MXR-4 is compatible with other MIGRO[®] MXT-4 transmitters(Tx). Match the receiver dip switch settings to the settings on the desired transmitter.

MODE SWITCH:
Each Channel can be individually set to either Momentary or Latching Mode. Select the mode desired for your application.



WARNING: THIS PRODUCT SHOULD NOT BE USED IN LIFE SAFETY APPLICATIONS
FCC Rules allow unlicensed high-power transmissions at or near the operating frequency of this product which may interfere with, or even disable, normal operation of this radio device.

Find other Wireless Control Solutions at www.MIGRO.com as well as compatible accessories

CONGRATULATIONS ON YOUR PURCHASE OF THE MXT-4 XTENDED RANGE 4 CHANNEL TRANSMITTER

The MIGRO[®] transmitters and receivers Xtended Range Wireless Control category work best for a broad myriad of wireless remote control applications. Some of the most commonly used include: Lighting control, generators, alarms, gate access, SCADA, industrial monitoring, irrigation gates, monitoring and controlling remote sites, valves factory processes, pump control, racetrack warning systems, PLC remote.

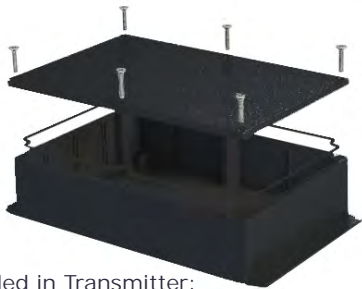
NOTE: THIS TRANSMITTER IS ONLY COMPATIBLE WITH THE MIGRO MXR-4 XTENDED RANGE RECEIVER



INSTALLATION INSTRUCTIONS

Your wireless control system must be installed and maintained as described in this guide to ensure reliable and safe operation. Confirm the voltage and current draw of your connected load to the control output is consistent with the design specifications of this product and that your application will not exceed the maximum load capacity listed.

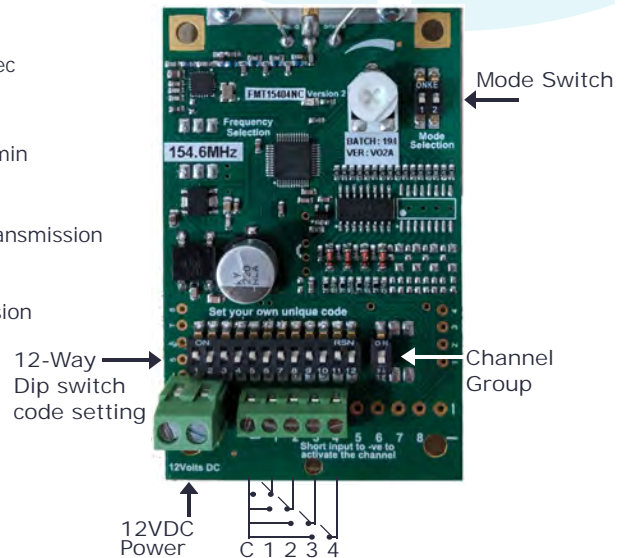
- 1 OPEN THE TRANSMITTER LID**
Open the Transmitter lid to gain access to the terminal connectors and dip switches.



Included in Transmitter:
1. Transmitter board
2. Mounting hardware kit

- 2 LOCATE WIRING TERMINALS**
Identify and connect to the terminals as needed for your application.

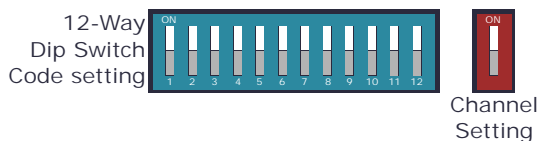
| MODES | |
|-------|-------------------------------|
| | Off Delay 2 sec-62 sec |
| | Off Delay 1 min-10 min |
| | 5 min continuous Transmission |
| | One Burst Transmission |



- 3 PAIR WITH TRANSMITTER & SELECT MODE**
The MXT-4 is compatible with other MIGRO[®] MXR-4 Receivers(Rx). Match the receiver dip switch settings to the settings on the desired receiver.

MODE SWITCH:

The transmitter will operate under 4 different modes. Set the dip switches to meet your application needs. refer to the Mode Descriptions for more details about each mode.



WARNING: THIS PRODUCT SHOULD NOT BE USED IN LIFE SAFETY APPLICATIONS
FCC Rules allow unlicensed high-power transmissions at or near the operating frequency of this product which may interfere with, or even disable, normal operation of this radio device.

Find other Wireless Control Solutions at www.MIGRO.com as well as compatible accessories

ATTENTION !!!

PERFORM A BENCH TEST PRIOR TO INSTALLING THE SYSTEM

Ensuring your MIGRO Xtended Range Wireless Controller is functioning prior to field installation is required by the manufacturer. Environmental and application specific conditions may cause communication error and a bench test will ensure that the equipment is functioning properly.

WARNING: Never operate the transmitter or receiver without antennas

TESTING PROCEDURE

NOTE: Transmitter and Receiver antennas shall be mounted facing the same vertical position (same pattern polarity), even when there is no line of sight.

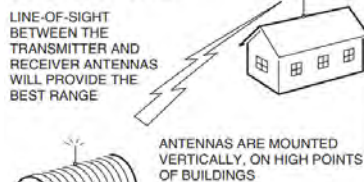


- 1 CLEARANCE**
Separate the Transmitter and Receiver at least 6 feet (2 meter) apart.
- 2 ANTENNAS**
Connect the antenna on the Transmitter and Receiver.
- 3 POWER SOURCE**
Connect the Transmitter and the Receiver to a 12VDC power source.
- 4 CLOSE INPUTS**
On the transmitter terminals, momentarily close INPUT CH1 with a wire jumper and verify that the receiver relay energizes. Repeat for each channel.

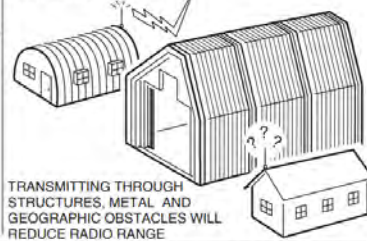
INSTALLATION

TIP: Install the antenna as high as possible, clear from obstructions or metal structures.

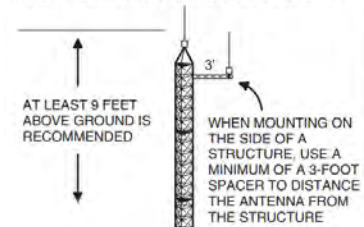
GOOD INSTALLATION



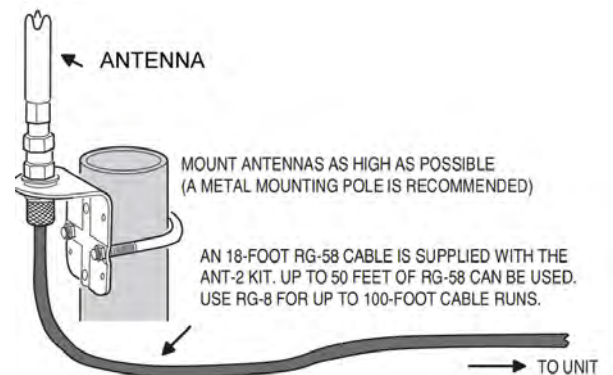
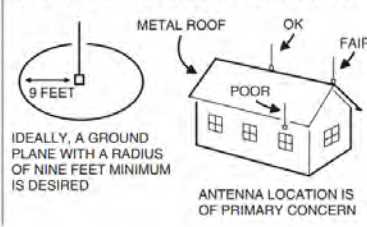
BAD INSTALLATION



MOUNT ANTENNA AS HIGH AS POSSIBLE



GOOD ANTENNAS NEED GOOD GROUNDS



ELECTRICAL SAFETY: System installations shall be performed by a certified professional.