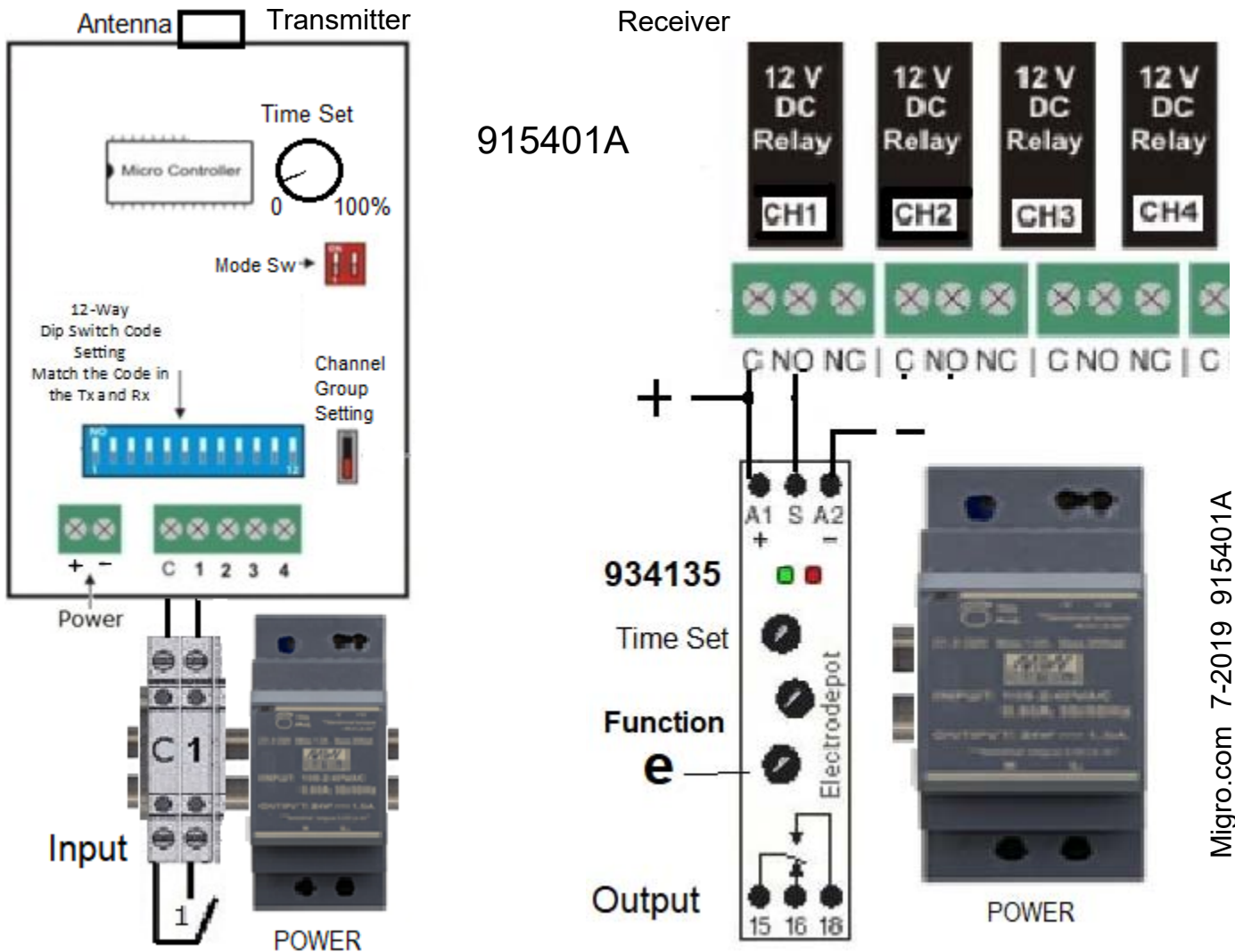


TEST the system before the final installation On a bench for proper setup and operation



NOTE: Transmitter and receiver antennas shall be mounted facing the same vertical position, (same polarity pattern) even when there is no line of sight.

Never operate the transmitter or receiver without the antenna.

Separate the transmitter and receiver ANTENNAS at least 6 feet (2 meter) apart

Make sure the 12 code DIP switch from the transmitter matches the receiver setting (factory preset)

- 1 Connect the Transmitter & Receiver to a power source
- 2 In the TRANSMITTER terminals Close momentary INPUT Ch1 with a wire jumper

At the RECEIVER the Signal Strength **** Will light up, Relay energizes. Check contact status with a meter

Relay Contact is SPDT N/O-N/C
Rated 10 Amp, maximum 250V

