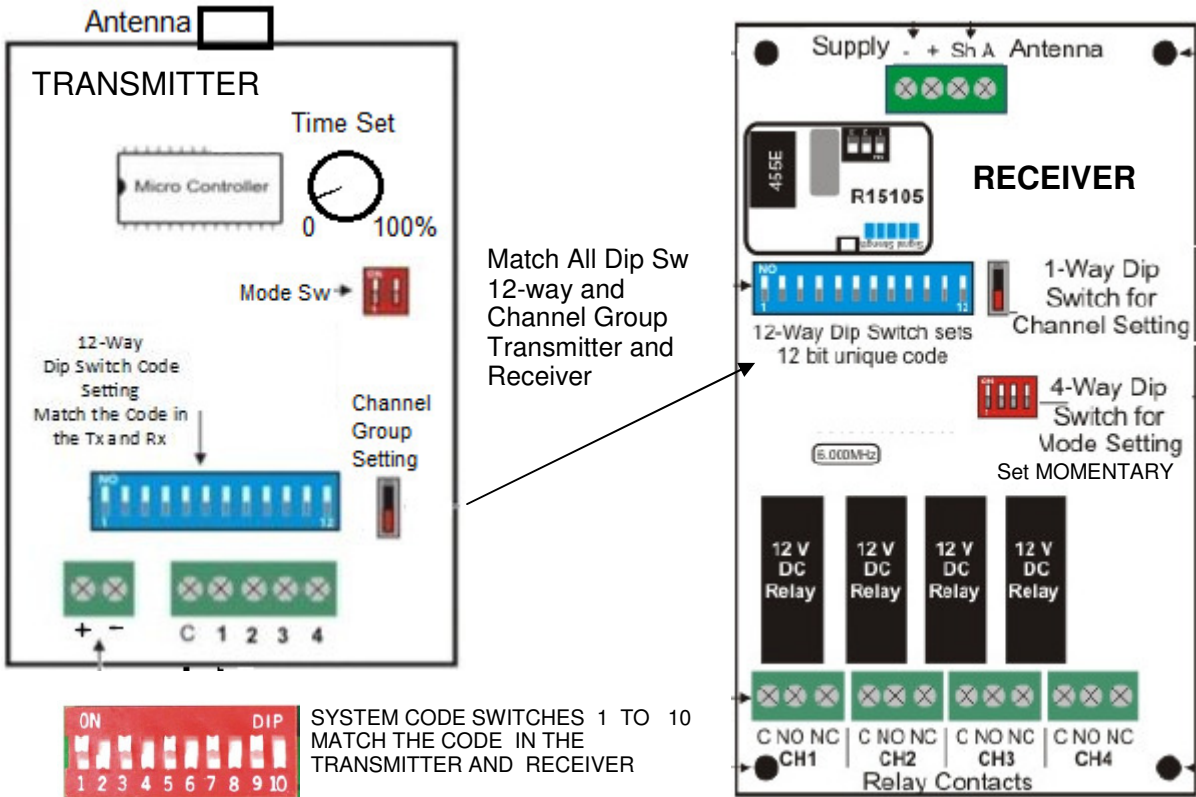


Series 915400 154 MHz Wireless Control System

**TEST the system before the installation
ON a bench for proper setup and operation**



NOTE: Transmitter and receiver antennas shall be mounted facing the same vertical position, (same polarity pattern) even when there is no line of sight.

Never operate the transmitter or receiver without the antenna.

Separate the transmitter and receiver ANTENNAS at least 6 feet (2 meter) apart
Make sure the 12 code DIP switch from the transmitter matches the receiver

1 Connect the Transmitter & Receiver to a power source

2 In the TRANSMITTER terminals (-) & (Ch1) Close momentary INPUT Ch1

At the RECEIVER the Signal Strength level ***Will light up, To confirm communication Relay energizes. Check contact status with a meter

3 Same procedure for each channel

Relay Contact is SPDT N/O-N/C
Rated 5 Amp, maximum 250V

